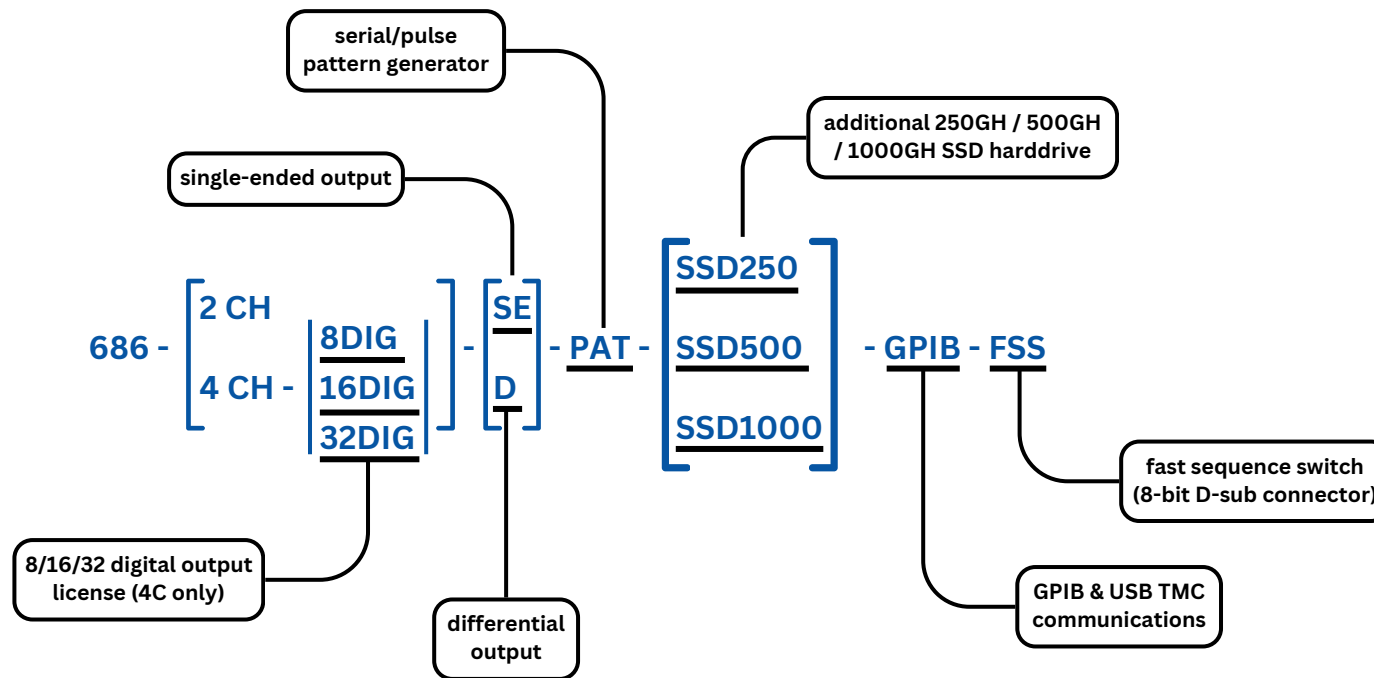


# Model 686

## Part Numbering



## ACCESSORIES

**DTTL8:** 8-bit LVDS to LVTTTL converter

**LVDS-SMA8:** mini SAS HS to 16 SMA cable (8 LVDS output)

**RIDER-RACK:** rackmount kit