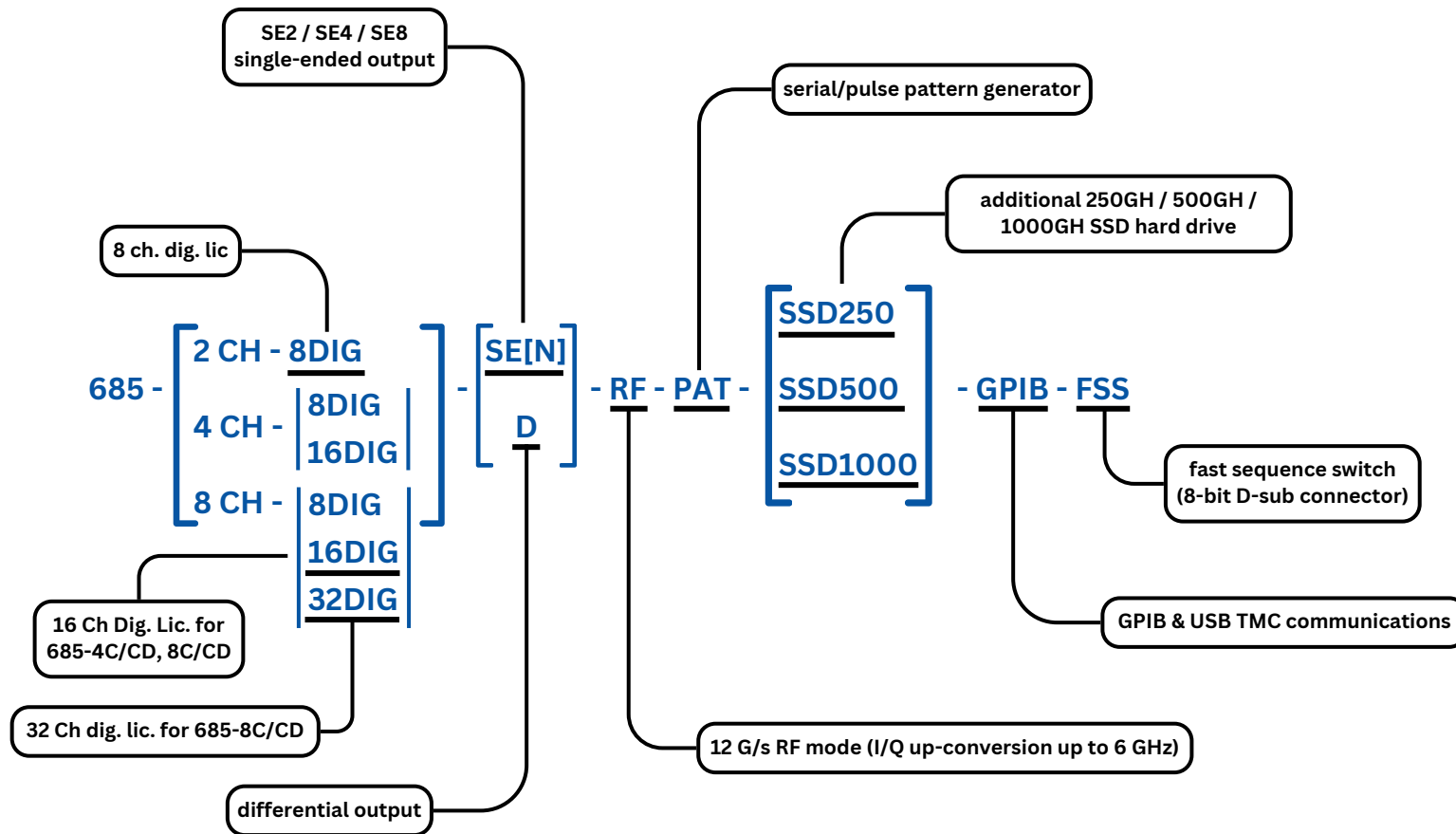


# Model 685

## Part Numbering



## ACCESSORIES

- DTTL8**: 8 bit LVDS to LVTTTL converter
- LVDS-SMA8**: mini SAS HD to 16 SMA cable (8 LVDS output)
- RIDER-RACK**: rackmount kit