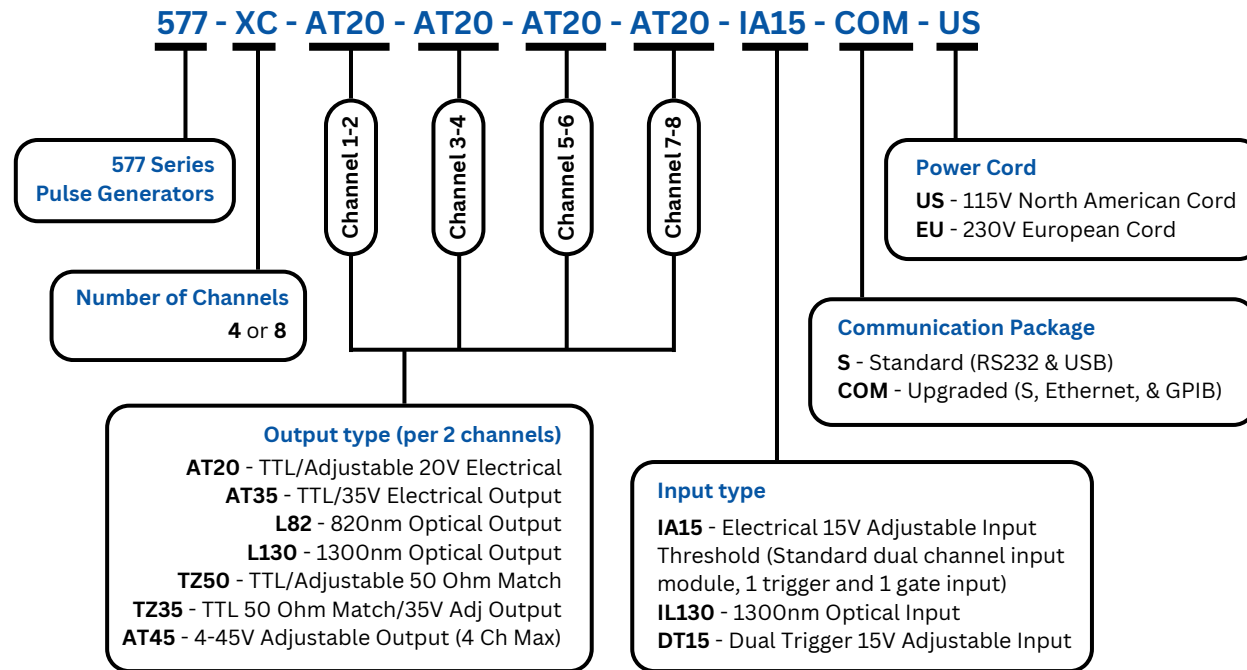


Model 577 Pulse Generator

Part Numbering



NOTES

577-4C-AT20-AT20-IL82-S-US: 4 channel electrical outputs, 820nm inputs, standard communication, US power cord

577-8C-AT20-AT20-L82-L82-IA15-COM-EU: 8 channel, 4 electrical 4 optical outputs, electrical inputs, upgraded communication, European power cord

577-4C-AT20-AT20-IA15-S-US: 4 channel, all electrical outputs and inputs, standard communication, US power cord