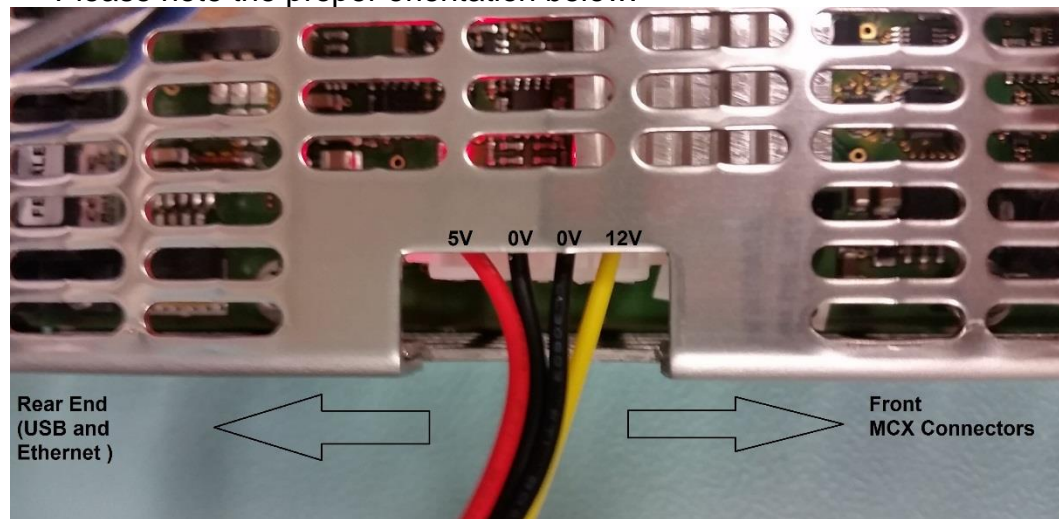


Model 745-OEM
Quick Start Guide

- I. Equipments and Material:
 - a. Model 745-OEM
 - b. USB Cable Type A to Mini B
 - c. MCX patch cables (not included)
 - d. Power Supply 5Vdc and 12Vdc (not included)
 - e. CAT5 (not included)
 - f. Terminal Software (HyperTerminal or similar)

- II. Hardware Set Up:
 - a. Connect the DC power supply but do not power it up yet.
*** Please note the proper orientation below.



- b. Connect all MCX connectors.
 - c. Connect the USB and ethernet cable on the rear side of the 745-OEM
 - d. Connect the USB to your PC.
 - e. Connect ethernet cable direct to your PC or to a network switch / router.

- III. Software Setup.
 - a. Open windows device manager and check the newly assigned COM port number. (i.e COM10)
 - b. Launch HyperTerminal or similar software
 - c. Set Baud = 38400, 8 Bits, 1 Stop Bit, No Parity, HW control = NONE
 - d. Connect to 745-OEM using COM port listed on III.a above for the 745-OEM
 - e. Issue command ***IDN?** to confirm connection. Device will respond with its model, serial and FW version number.
 - f. Once serial communication is set, send the following command and take note of the values.
 - i. **IP?**
 - ii. **GW?**
 - iii. **NM?**

*** The above command queries IP address, Gateway and Netmask. If you need to change any of the above settings then issue any or all the following:

- iv. **IP <address>** ie IP 192.168.1.20 to set the IP to 192.168.1.20
- v. **GW <address>** ie GW 192.168.1.1 to set the gateway to 192.168.1.1
- vi. **NM <address>** ie NM 255.255.255.0 to set the netmask to 255.255.255.0
- g. Cycle the power of the Model 745-OEM

NOTE: LAN settings can also be changed using telnet on port 4000 if IP address is known. ie. A:> **telnet 192.168.1.21 4000**

- IV. Controlling 745-OEM.
 - a. Launch webbrowser (Chrome, Firefox, or similar)
 - b. Type in the IP address listed on III.f.i or III.f.iv
 - c. The default username is **BNC** and default password is **bnc**